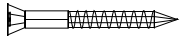


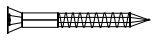
A

4x45 x 97



B

3x25 x 344



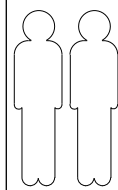
C

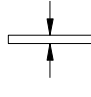
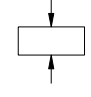
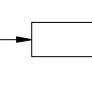
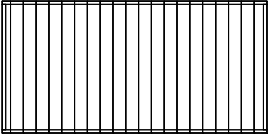
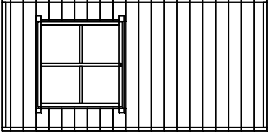

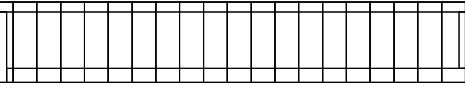
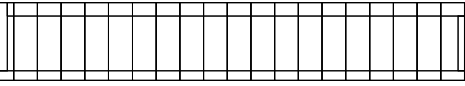
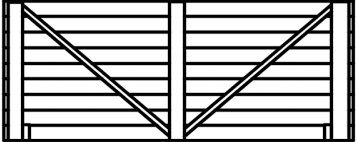
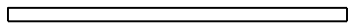
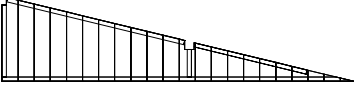

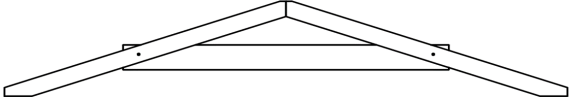
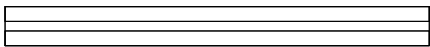
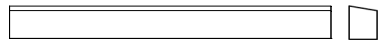
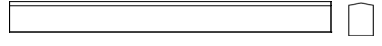
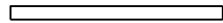


1.4x25 x 34

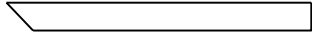

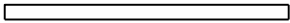
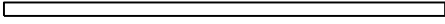
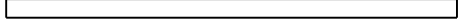
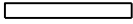
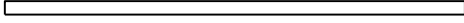
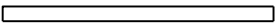

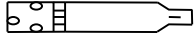
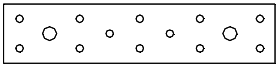
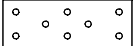
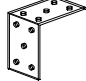
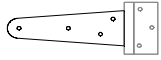
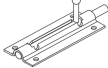


D

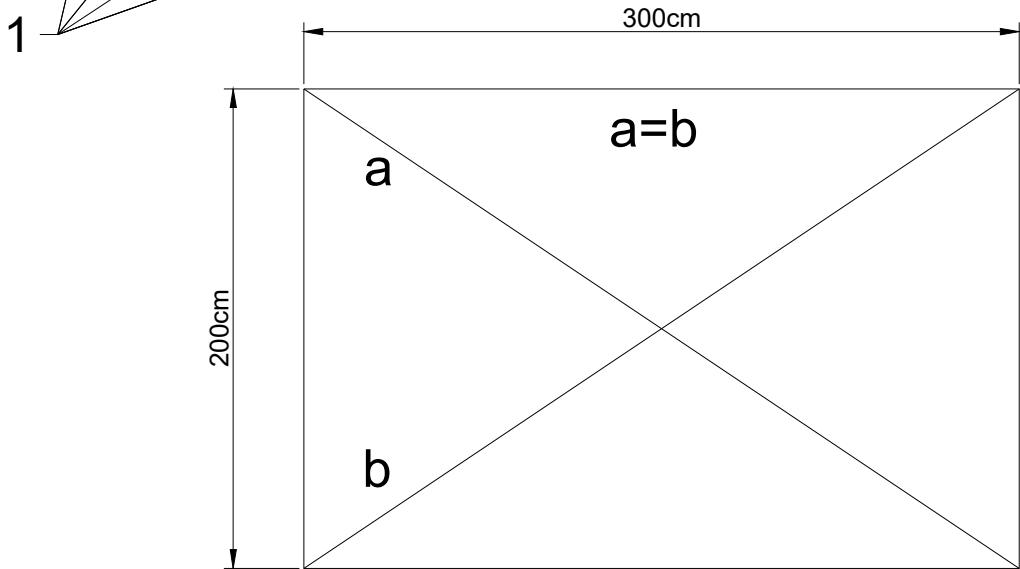
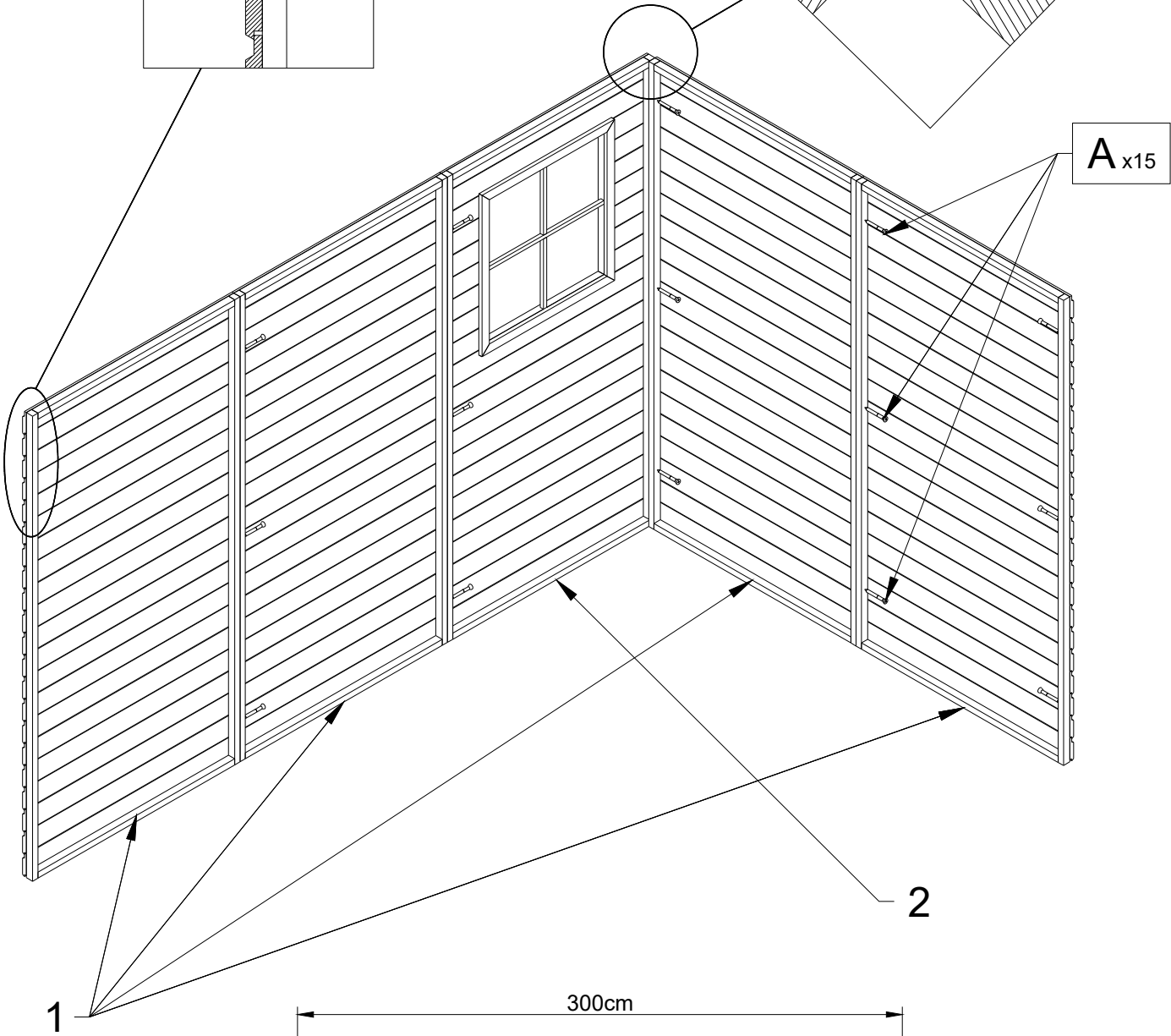
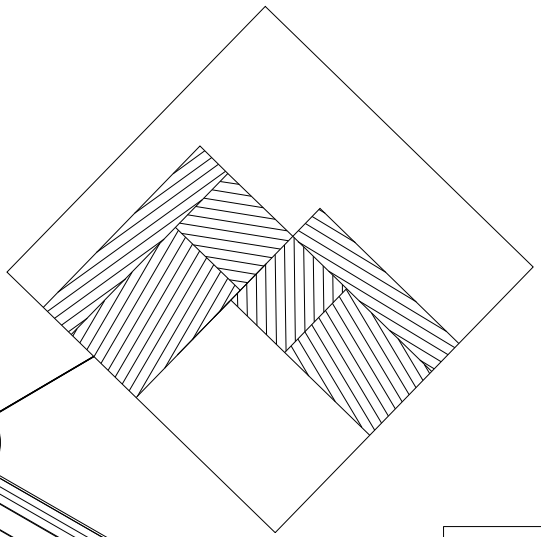
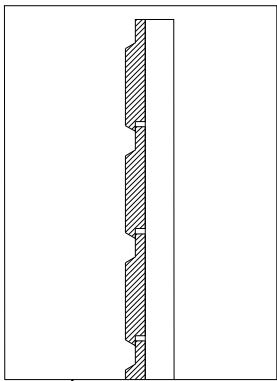
3x20 x 26



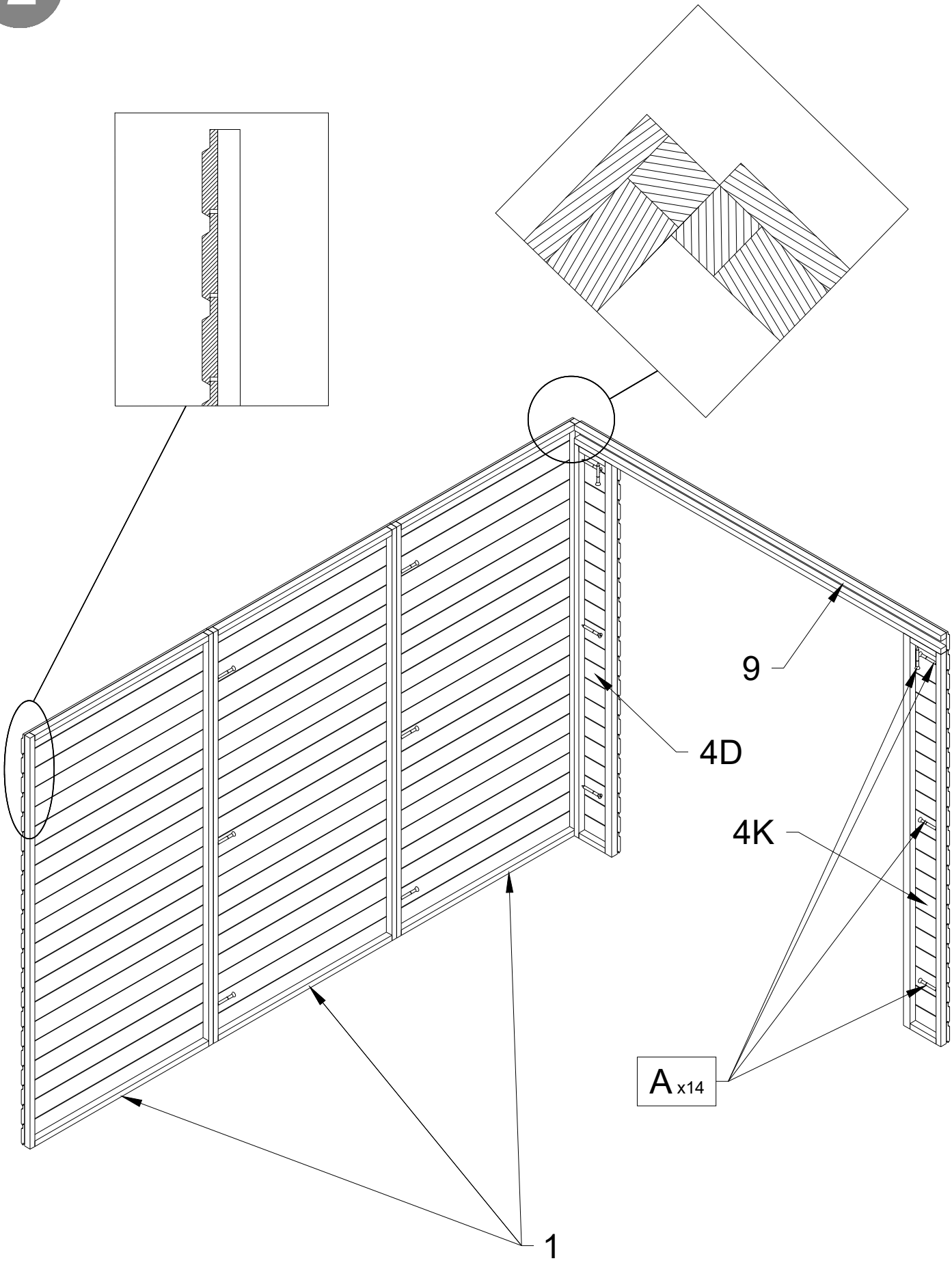
№		PCS	 mm	 mm	 mm
1		7		980	1900
2		1		980	1900
3		6	OSB	35	1045
4D		1		200	1814
4K		1		200	1814
5		2		770	1795
6		1	25	30	1560
7k		2		331	1027
7d		2		331	1027
8		2		354	1960
9		1		89	1960
10		4	40	60	1568
11		2	40	60	1568
12		2	15	35	872
13		4	17	47	1568
14		8	OSB	784	1250

15		4	15	69	1300
16		2	15	75	145
17		10	15	35	1250
18		4	15	35	1835
19		4	17	47	1900
20		2	15	35	270
21		1	15	35	1900
22		6	15	35	1045
23	3 x 3,136m 	1		1m	10m
24		1			
25		6			
26		3			
27		8			
28		6			
29		2			

1

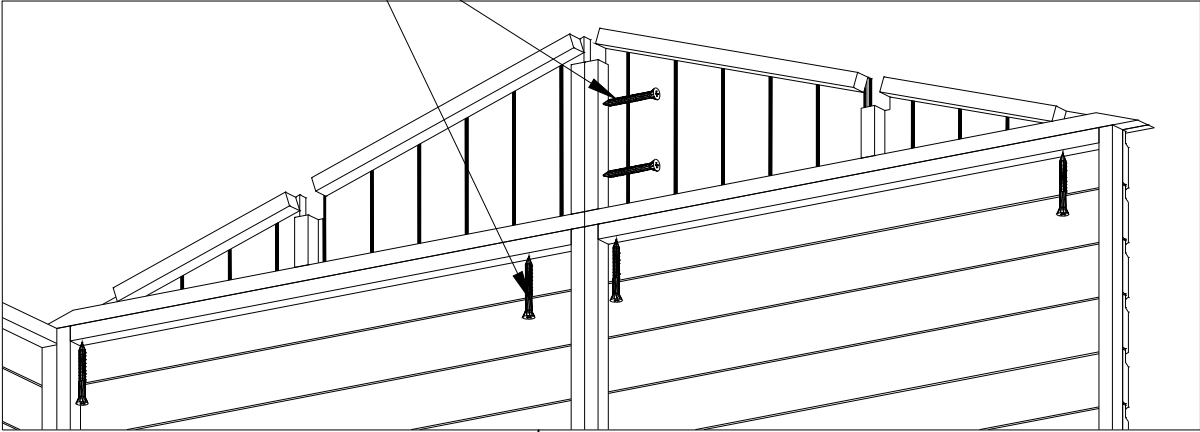


2



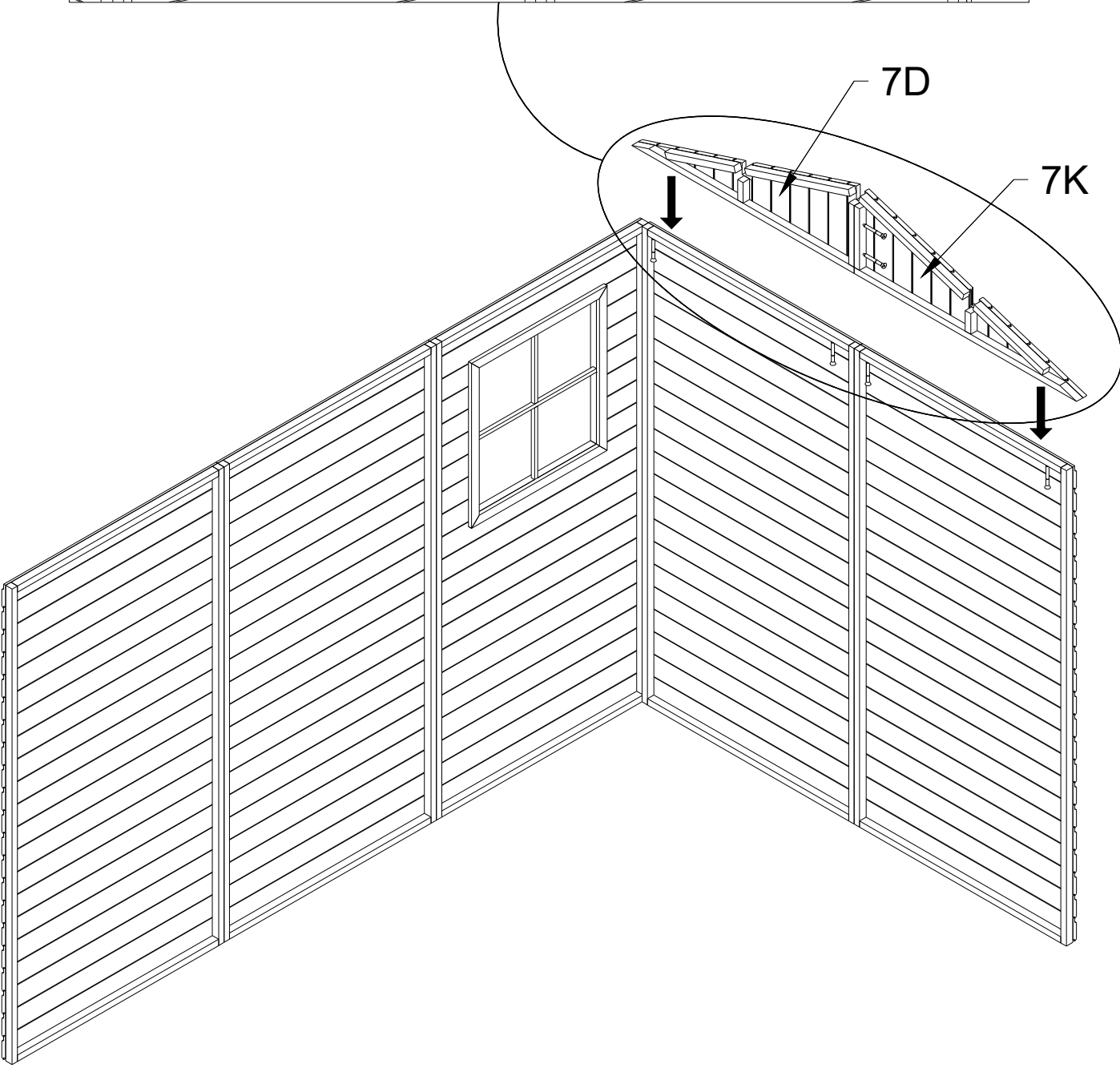
3

A_{x6}

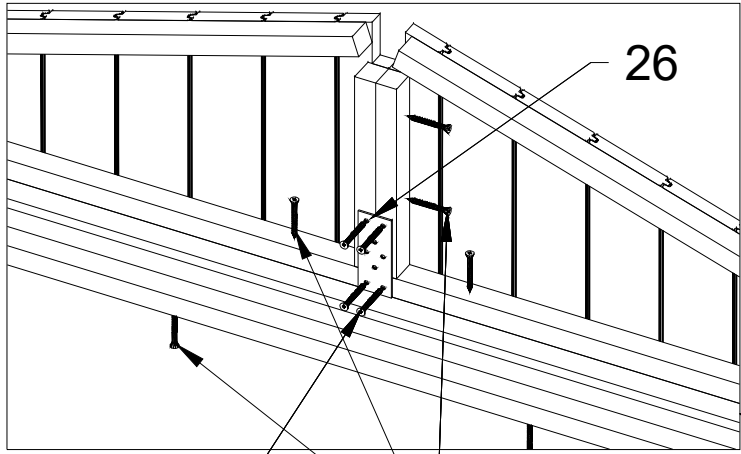


7D

7K

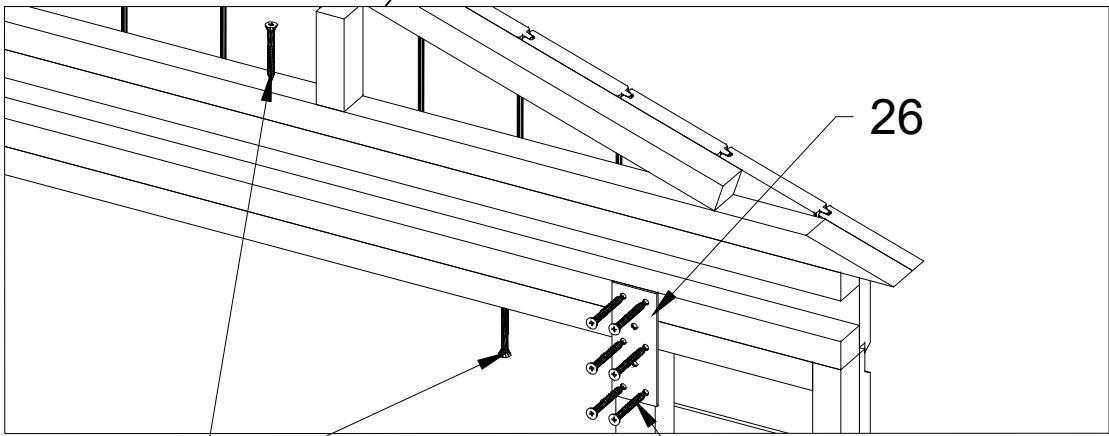
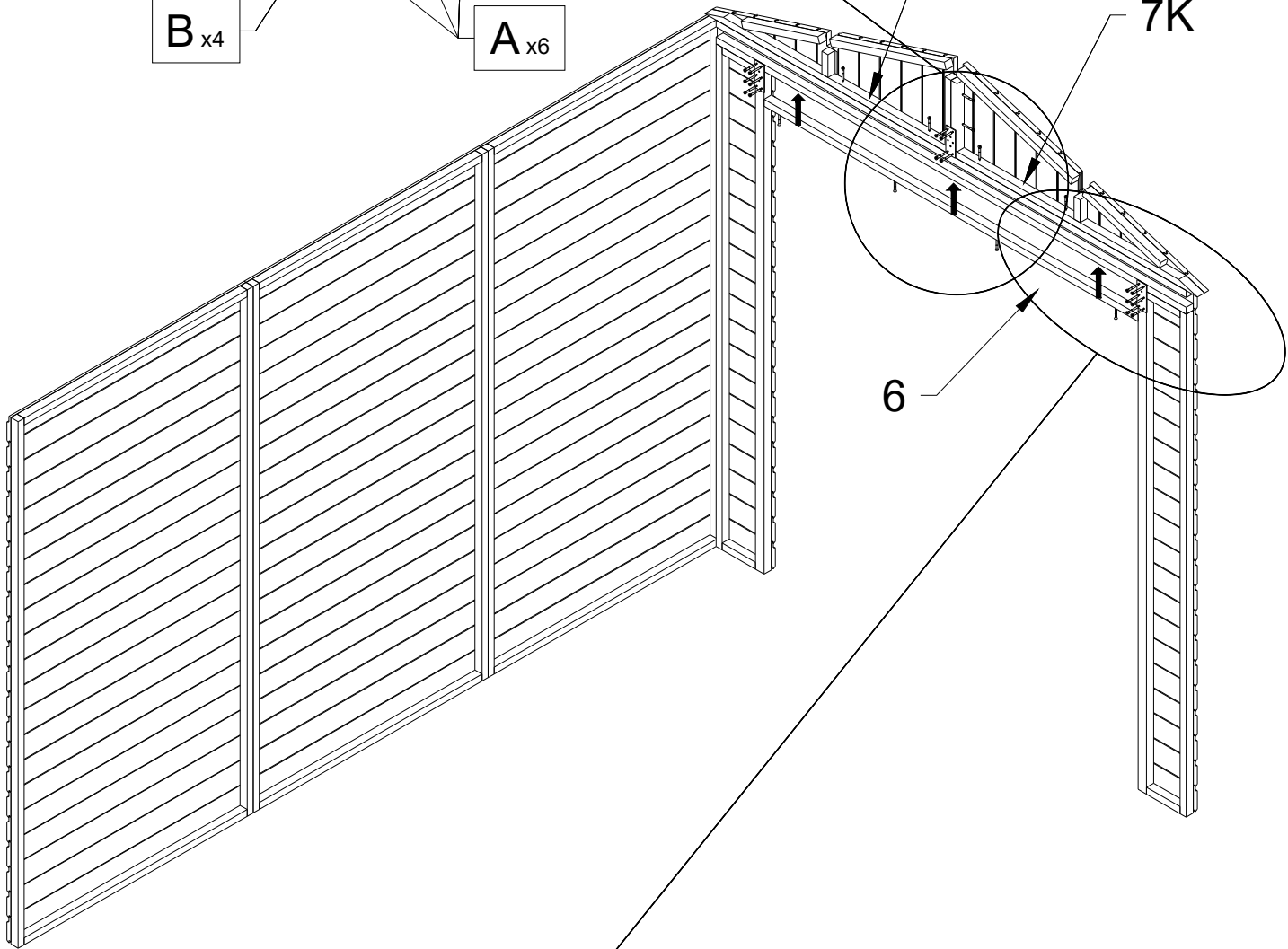


4



B x4

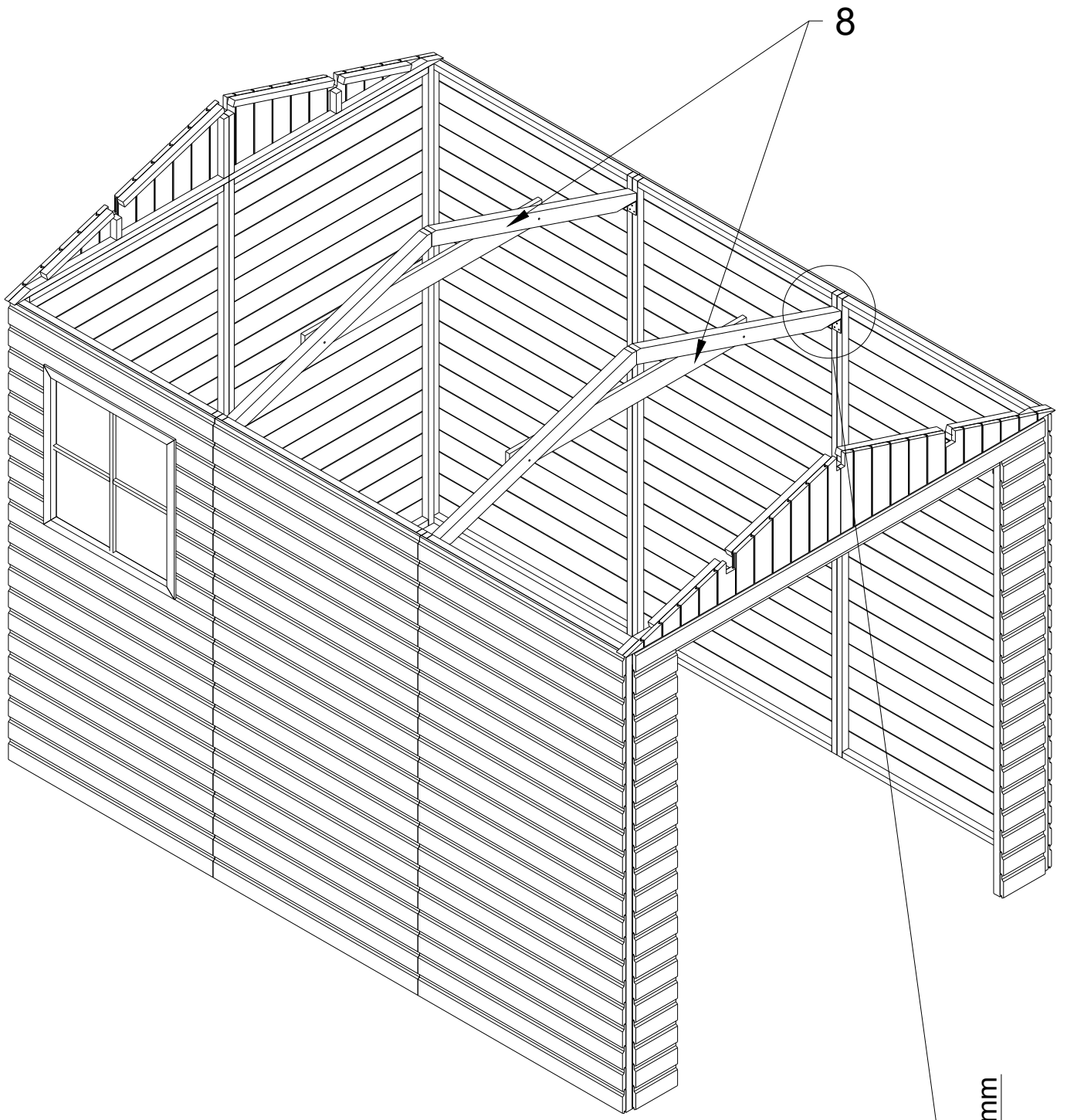
A x6



A x4

B x12

5

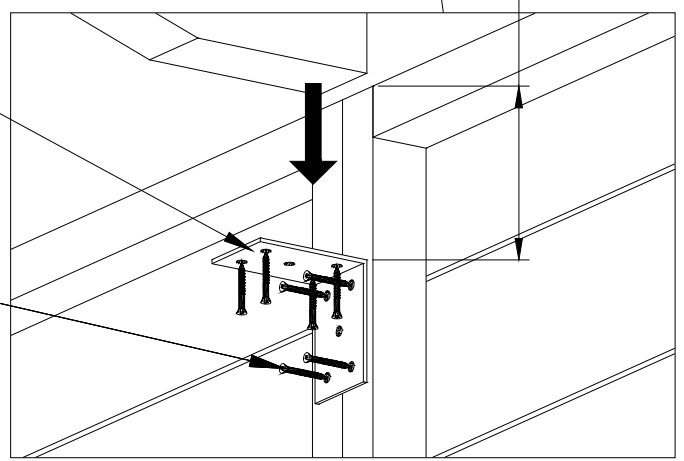


8

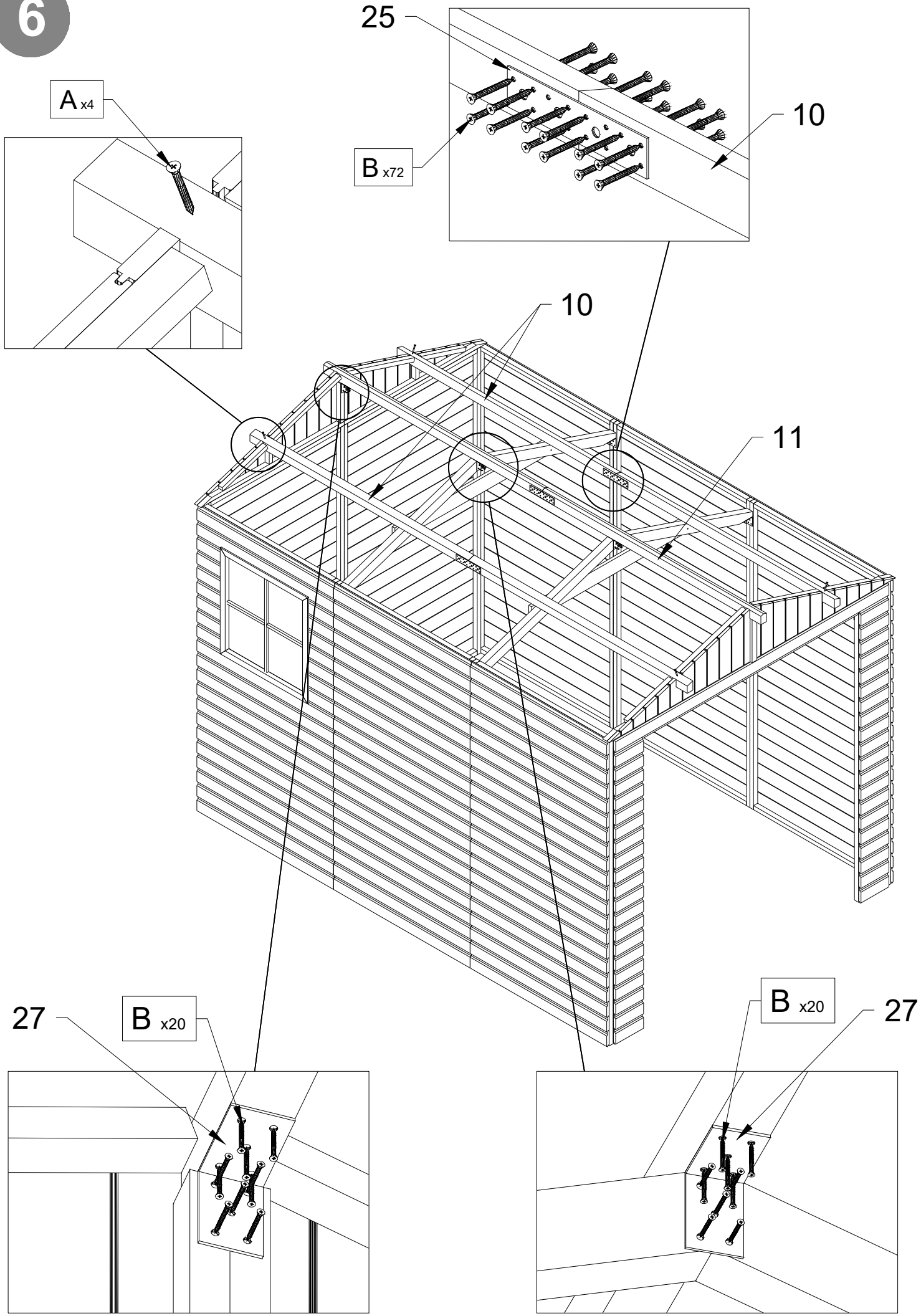
83mm

27

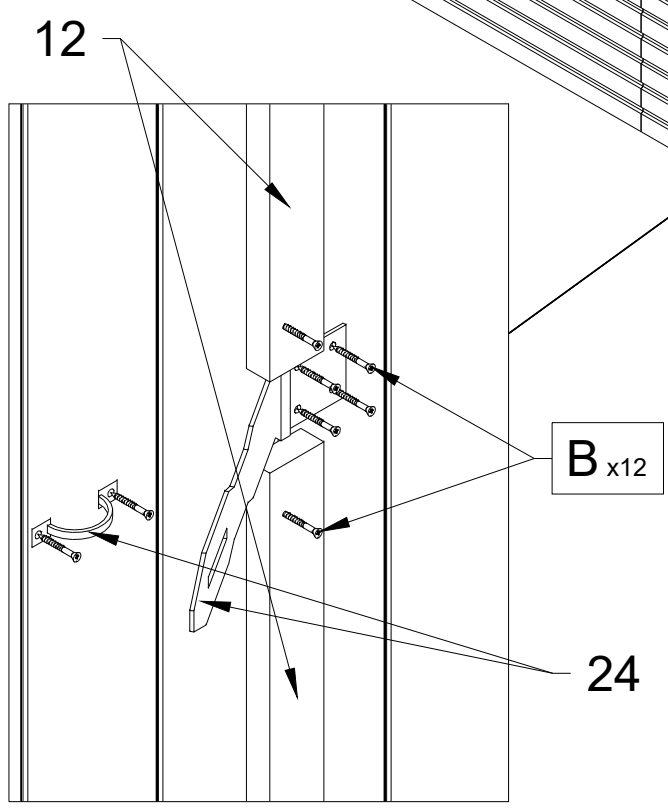
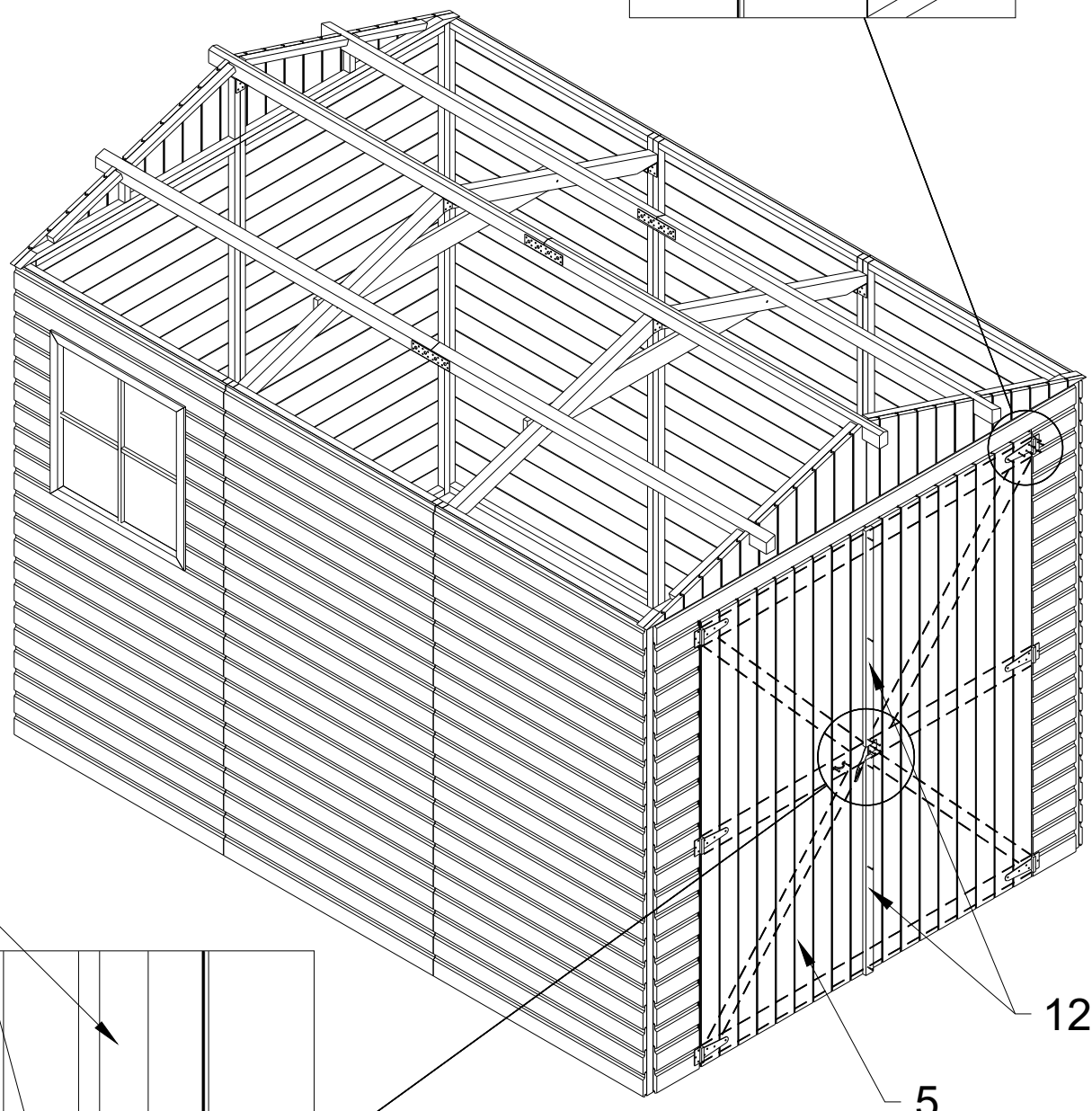
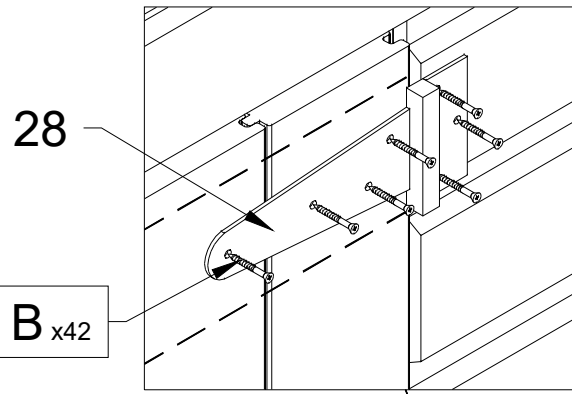
B x32



6

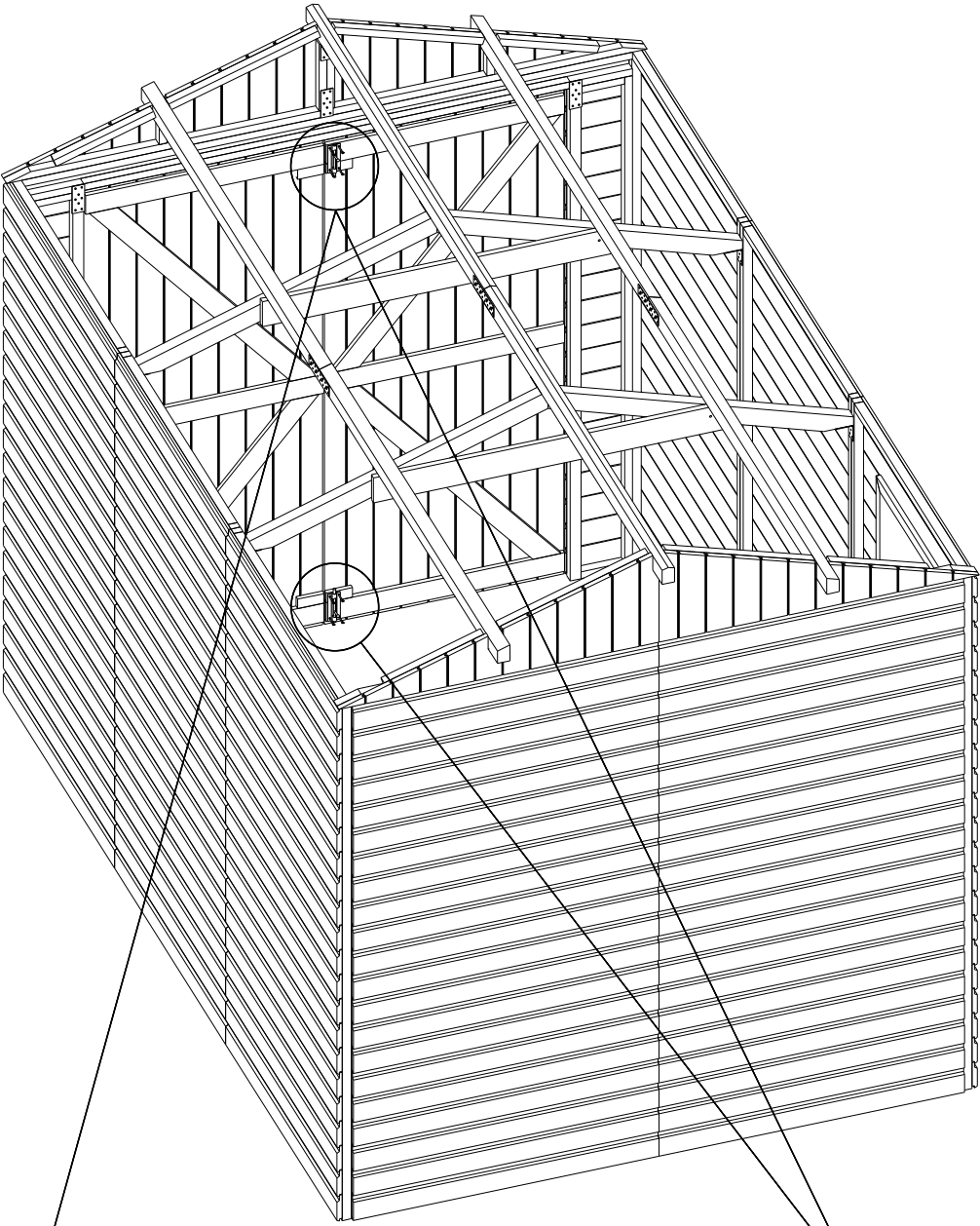


7



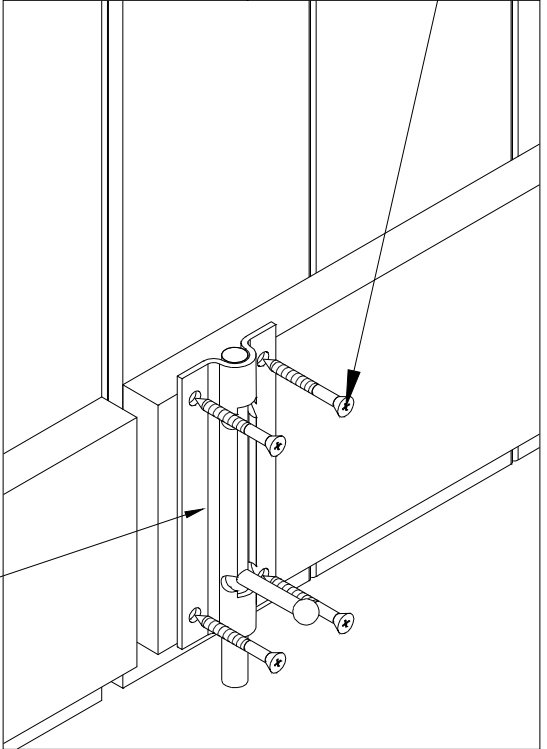
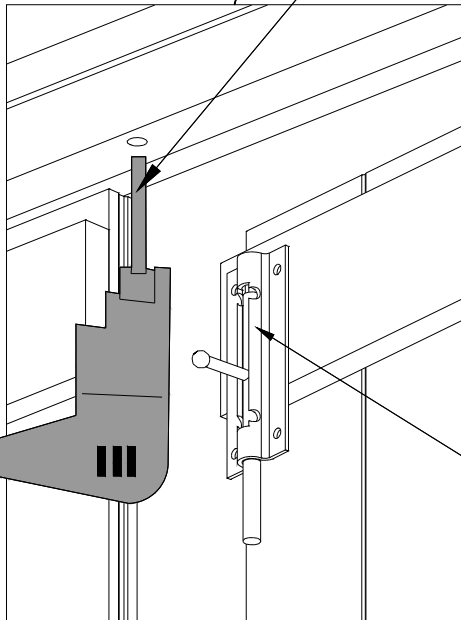
12

5

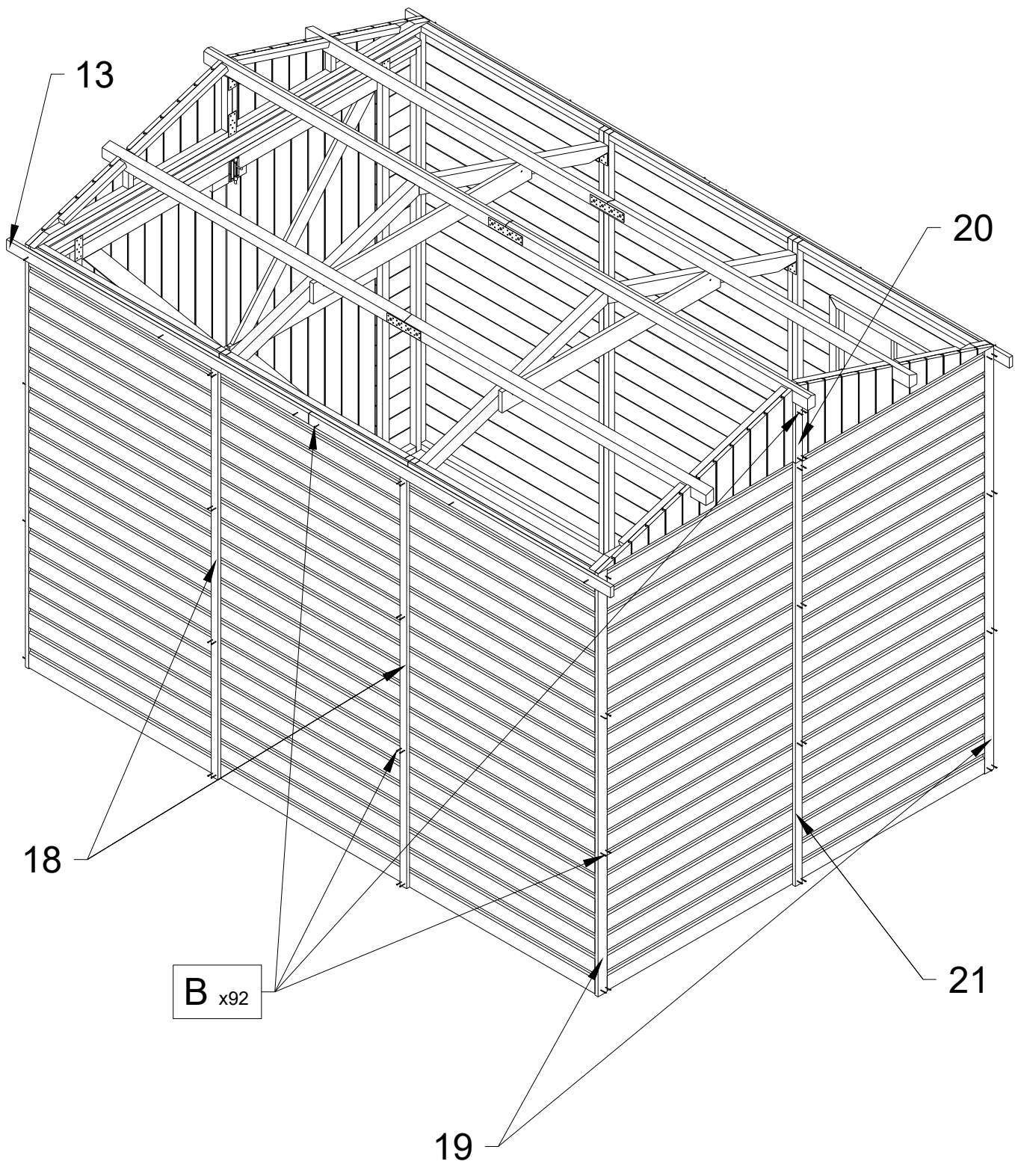


Ø12mm

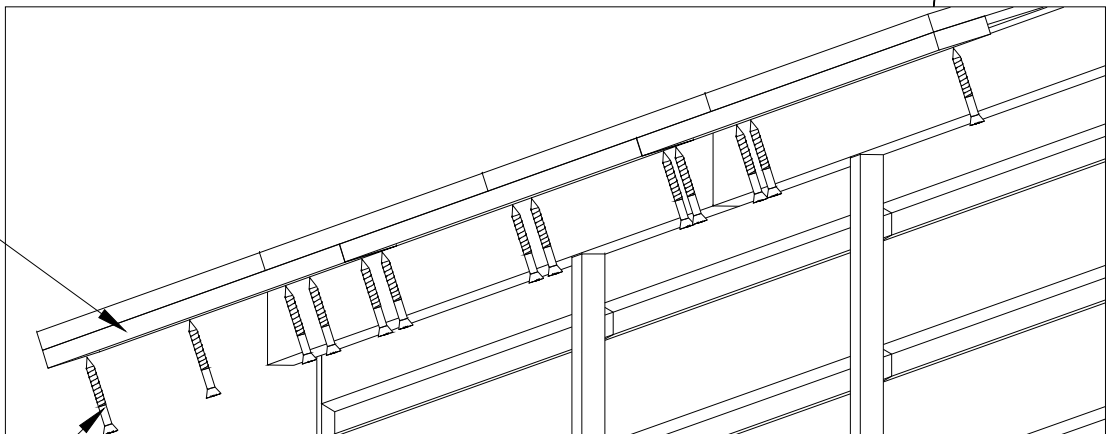
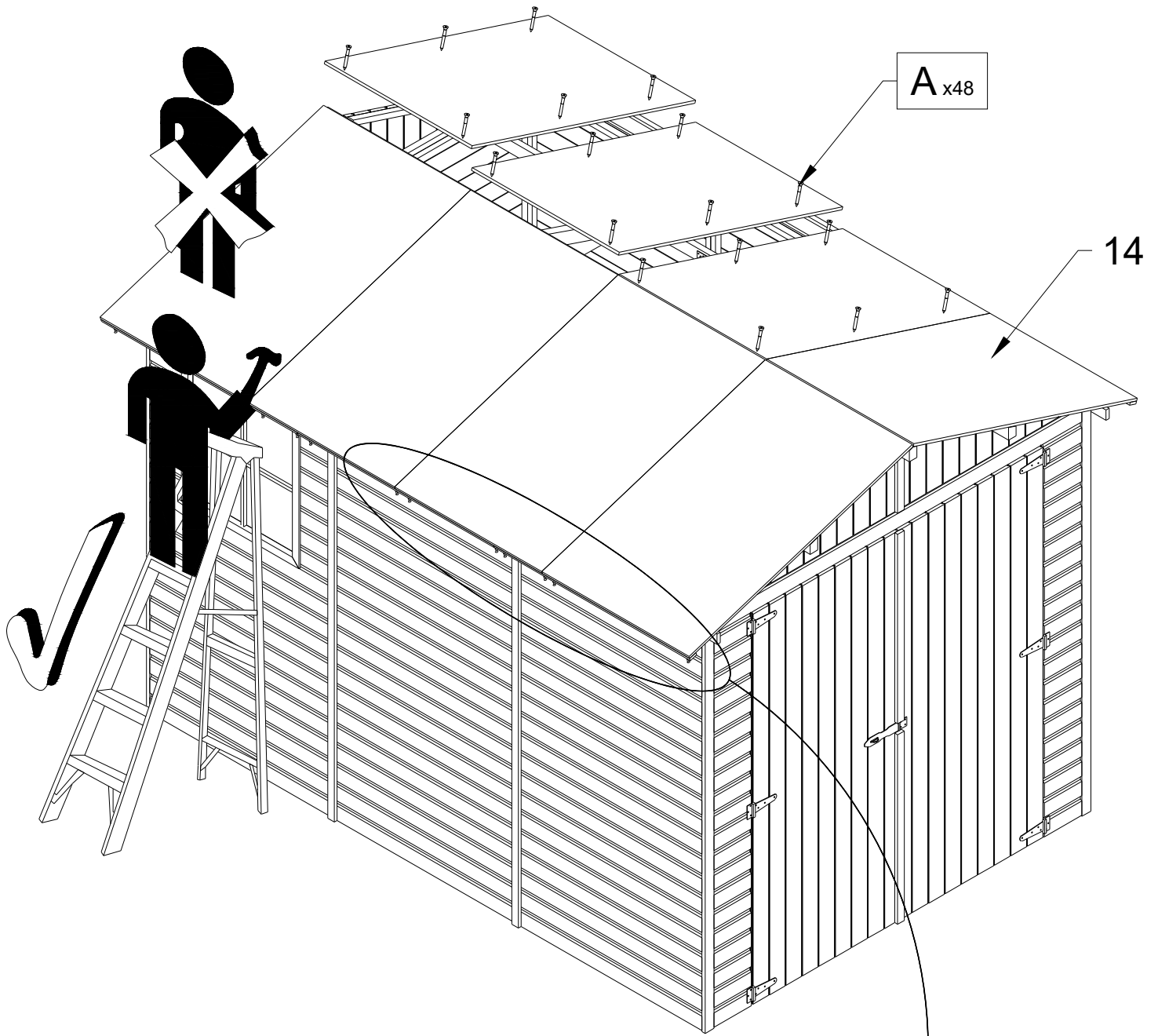
B x8



29



10



D x26

11

